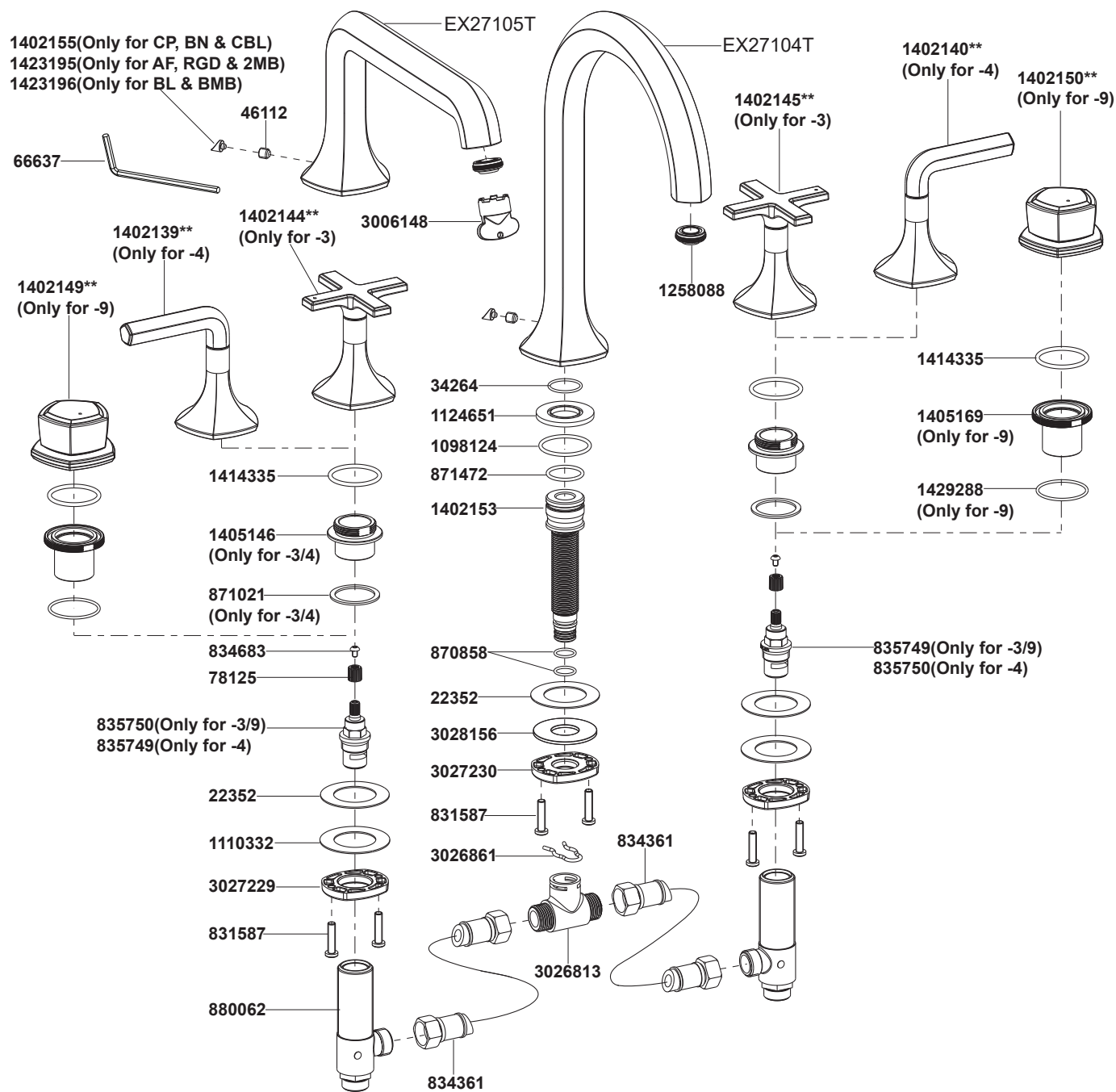


- EX27104T-3 双把缸边浴缸龙头(曲管型出水嘴, 十字型把手)
- EX27104T-4 双把缸边浴缸龙头(曲管型出水嘴, 杆型把手)
- EX27104T-9 双把缸边浴缸龙头(曲管型出水嘴, 柱型把手)
- EX27105T-3 双把缸边浴缸龙头(直杆型出水嘴, 十字型把手)
- EX27105T-4 双把缸边浴缸龙头(直杆型出水嘴, 杆型把手)
- EX27105T-9 双把缸边浴缸龙头(直杆型出水嘴, 柱型把手)



**订购时请说明颜色编号

**Color code must be specified when ordering

- EX27104T-3 双把缸边浴缸龙头(曲管型出水嘴, 十字型把手)
- EX27104T-4 双把缸边浴缸龙头(曲管型出水嘴, 杆型把手)
- EX27104T-9 双把缸边浴缸龙头(曲管型出水嘴, 柱型把手)
- EX27105T-3 双把缸边浴缸龙头(直杆型出水嘴, 十字型把手)
- EX27105T-4 双把缸边浴缸龙头(直杆型出水嘴, 杆型把手)
- EX27105T-9 双把缸边浴缸龙头(直杆型出水嘴, 柱型把手)

安装之前

所有的资料是按最新出版的产品资料编写而成。科勒公司保留任何时候不经通知即可改变产品特性、包装或产品可供类型的权利。

说明书包括重要的安装、保养及清洁方面的内容, 请把这些资料交给用户阅读。

注意事项:

1. 一定要先彻底冲洗供水管以清除管道中的杂质。
2. 尽可能在安装浴缸之前安装水龙头。
3. 检查供水管有无损坏漏水。如需要, 进行替换维修。
4. 遵守当地管路安装条例。
5. 切断供水管路。

BEFORE YOU BEGIN

All information is based on the latest product information available at the time of publication. Kohler Co. reserves the right to make changes in product characteristics, packaging, or availability at any time without notice.

Please leave these instructions for the consumer. They contain important information.

NOTES:

1. Flush the water supply pipes thoroughly to remove debris.
2. If possible, install this faucet before installing the bathtub.
3. Inspect the supply tubing for damage and leakage. Replace and maintain as necessary.
4. Observe local plumbing codes.
5. Shut off the water supplies to the fitting.

使用说明

对于杆型把手-4, 逆时针旋转左把手为热水, 顺时针旋转右把手为冷水。

对于十字型和柱型把手-3/9, 顺时针旋转左把手为热水, 逆时针旋转右把手为冷水。

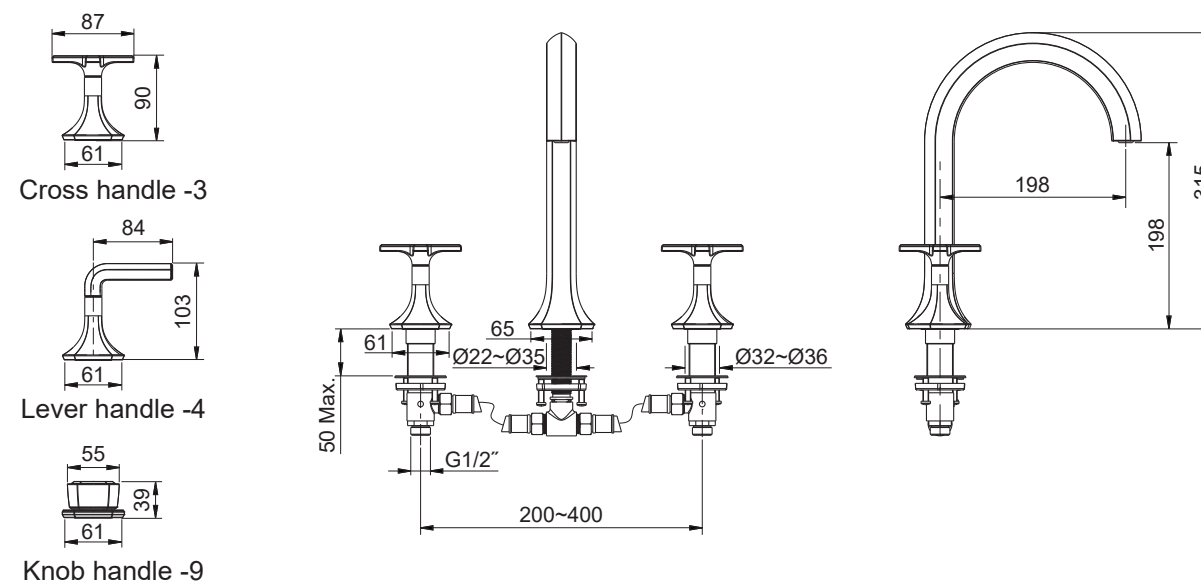
HANDLE OPERATION

For lever handle -4, turn the left handle counter-clockwise for hot water, right handle clockwise for cold water.

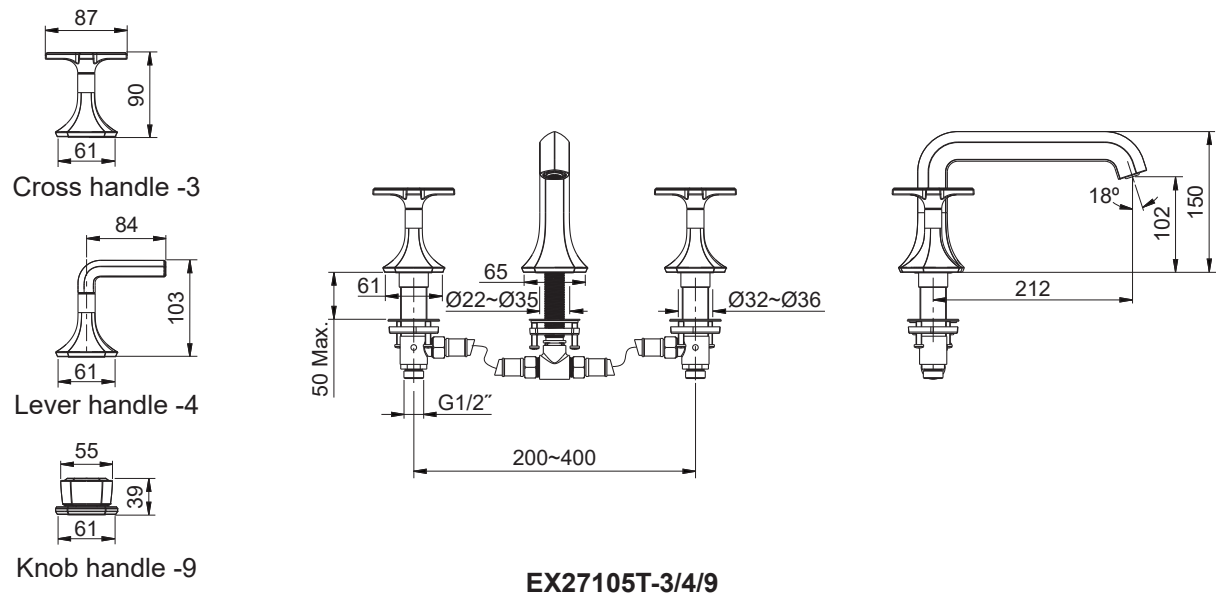
For cross/knob handle -3/9, turn the left handle clockwise for hot water, right handle counter-clockwise for cold water.

安装尺寸

ROUGH-IN DIMENSIONS



EX27104T-3/4/9



EX27105T-3/4/9

安装步骤

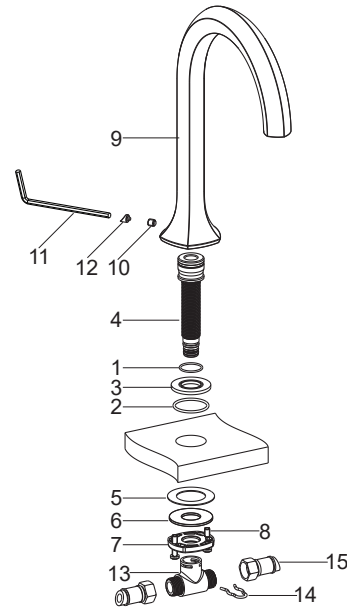
INSTALLATION

如何安装出水嘴

将O型圈(1, 2)分别嵌入垫片(3)顶部和底部凹槽中。从台面上方将牙管(4)穿过垫片(3)插入安装孔中。从台面下方依次安装垫片(5)、钢垫(6)和安装环(7), 拧紧螺钉(8)以固定牙管。

将出水嘴(9)方向水平地按在牙管上, 直至与台面接触。调整出水嘴位置, 使出水嘴朝向正前方, 把螺钉(10)对准出水嘴上的螺钉孔, 用六角扳手(11)拧紧螺钉, 塞入塞扣(12)。

将T型接头(13)装入牙管, 卡入卡簧(14)。将软管(15)一端连接到T型接头上, 另一端将连接阀体出水口。



How to Install the Spout

Put the O-rings(1, 2) into the top and bottom grooves of the washer(3). From upside, insert the shank(4) through the washer(3) into the mounting hole. From underside, install the washer(5), steel washer(6) and threaded ring(7). Secure the shank by tightening the screws(8).

Press the spout(9) onto the shank until it contacts the deck. Position the spout and keep it frontwards. Align the screw(10) to the screw hole of the spout and then tighten it with hex wrench(11). Insert the plug(12).

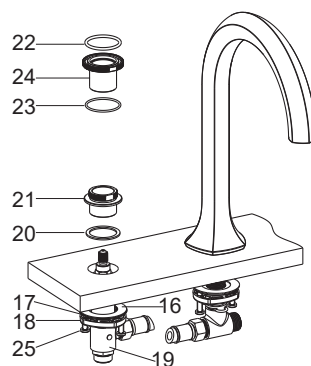
Install the tee connector(13) to the shank and tighten with the hook(14). Connect the hose(15) and tee connector. The other end of the hose will be connected to the valve body.

如何安装阀体和把手

确保垫片(16)、钢垫(17)和安装环(18)依次装在阀体组件(19)上。从浴缸下方将阀体组件装入安装孔。**注意:** 面向龙头时, 有红色标记的阀体组件装在左侧, 与热水源连接。

对于十字型和杆型把手, 将橡胶垫片(20)装到螺母(21)底部凹槽中; 对于柱型把手, 将O型圈(22, 23)分别装到螺母(24)顶部和底部凹槽中。从浴缸上方将螺母旋到阀体组件。

根据软管安装需要, 适当调整阀体出水口朝向。拧紧螺钉(25)以固定阀体组件。



How to Install the Valve Bodies and Handles

Ensure the washer(16), steel washer(17) and threaded ring(18) are on the valve body (19). From underside, install the valve body into the mounting hole. **NOTE:** The valve body with red mark should be installed on the left side and connected with hot water.

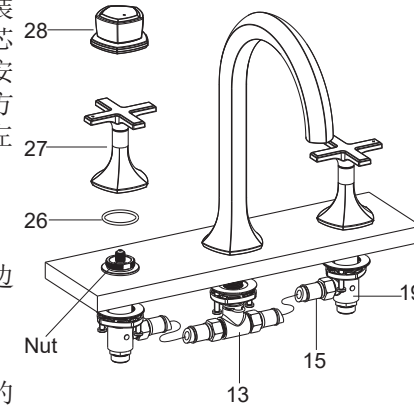
For cross/lever handle, put the rubber washer(20) into the bottom groove of the nut(21). For knob handle, put the O-rings(22, 23) into the top and bottom grooves of the nut(24). From upside, tighten the nut onto the valve body.

Adjust the outlet of valve body to connect hose easily. Secure the valve body by tightening the screws(25).

对于十字型和杆型把手, 将O型圈(26)装入把手组件(27)底部凹槽中。确保阀芯处于关闭状态, 将把手组件(27或28)安装在螺母上并旋紧。调整把手至图示方向。**注意:** 带有红色圆点的把手装在左侧。

用软管(15)另一端将T型接头(13)与两边的阀体组件(19)连接起来。

出水嘴及把手安装完毕处于关闭状态的位置如下图所示。



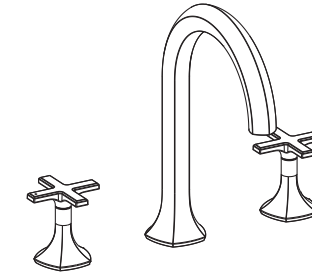
For cross/lever handle, put the O-ring(26) into the bottom groove of the handle kit(27). Tighten the handle kit(27 or 28) onto the nut with the valve closed. Adjust the handle position as shown. **NOTE:** The handle kit with red mark should be installed on the left side.

Connect the tee connector(13) and the valve body(19) with the hose(15).

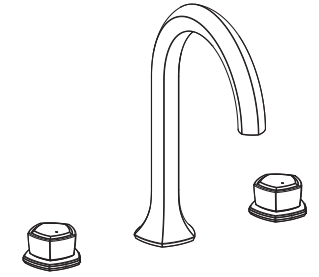
The figures shown are the correct position of the spout and handles in the closed position.



Lever handles -3



Cross handles -4



Knob handles -9

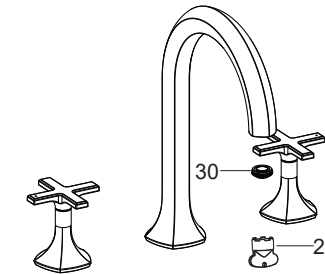
安装结果检查

检查并确保所有衔接螺母都已拧紧, 确保把手在关闭位置。

打开主供水源, 检查是否有漏水。如有漏水, 修理之。

用起泡器工具(29)拆下起泡器(30)。打开水龙头冷热水, 让水流出约一分钟以清除杂质, 检查渗漏。

冲洗起泡器, 关闭水龙头, 重新装回起泡器。



INSTALLATION CHECKOUT

Ensure all connections are tight. Ensure the handles are in the off position.

Turn on the main water supply, and check for leaks. Repair as needed.

Remove the aerator(30) with key(29). Turn on the faucet. Run hot and cold water through the spout for about one minute to remove any debris. Check for leaks.

Remove any debris from the aerator. Shut off the faucet. Reinstall the aerator.

清洗说明

适用于所有加工处理过的表面: 以中性肥皂水清洗镀层表面, 再以干净的软布彻底擦干整个表面, 许多清洁剂, 比如氨水、去污粉及洁厕灵等, 会对电镀表面造成伤害, 切忌使用。

有磨损性的清洁用具或清洁剂也不可适用于科勒牌的水龙头及其配件上。

CLEANING INSTRUCTIONS

All Finishes: Clean the finish with mild soap and warm water. Wipe entire surface completely dry with clean soft cloth. Many cleaners may contain chemicals, such as ammonia, chlorine, toilet cleaner etc. which could adversely affect the finish and are not recommended for cleaning.

Do not use abrasive cleaners or solvents on Kohler faucets and fittings.